



Modular Acoustic Enclosure

455 – 750 kVA Range



The innovative and functional design of the 455 – 750 kVA enclosure range ensures performance in the harshest of environments. Extremely durable and robust, the enclosures are designed to resist corrosion and handling damage with the ability to withstand rough handling common on many construction sites.

Developed through continuing research and development by our specialist engineers, all YelloGen enclosures are fully weatherproof incorporating internally mounted exhaust silencers. Designed on modular principles, they have interchangeable components permitting on site repair.

Robust/Highly Corrosion Resistant Construction

- Galvanised steel construction further protected by polyester powder coat paint
- Base frame extends beyond enclosure protecting against handling damage
- Reinforced lap roof joints protecting against water ingress
- Black finish stainless steel locks and hinges
- Zinc plated / stainless steel fasteners
- Corner posts manufactured from high grade composite material

Security and Safety

- Control panel viewing window in a lockable access door
- Emergency stop push button (red) mounted on enclosure exterior
- Cooling fan and battery charging alternator fully guarded
- Fuel fill and battery can only be reached via lockable access doors
- Exhaust silencing system totally enclosed for operator safety

The CAE enclosures reduce sound levels to comply with Stage II levels of the European Community Directive 2000/14/EC which became effective 3 January 2006.

The YelloGen CAHA enclosures, also available across the entire 455 – 750 kVA range are designed for operation in high ambient environments up to 50°C, with no loss of cooling system performance.

Excellent Service and Maintenance Access

- Large side hinged doors on both sides of enclosure providing optimal access
- Retaining bars securing door positions during servicing
- Removable ducts providing maintenance access with enclosure in place
- Radiator fill via removable, flush mounted rain cap fitted with compression seal
- Lube oil and coolant drains piped to base frame, exterior to the enclosure

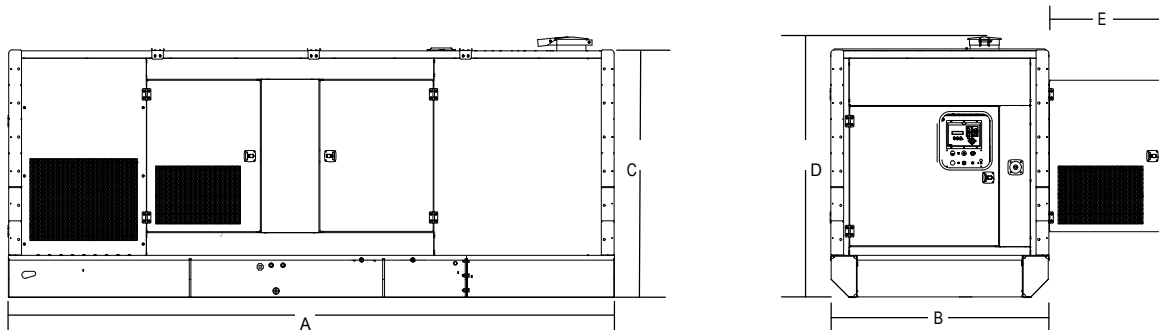
Transportability

- Tested and certified lifting arch (excluding 2806)
- Lifting, drag and jacking points on base frame

Sound Pressure Levels (dBA) - CAE

| | | 50 Hz | | | | | | 60 Hz | | | | | |
|----------------------|---------|------------|-----------|-----------|-----------|----------|-----------|------------|-----------|-----------|-----------|----------|-----------|
| | | 15m (50ft) | | 7m (23ft) | | 1m (3ft) | | 15m (50ft) | | 7m (23ft) | | 1m (3ft) | |
| Generating Set Model | | 75% Load | 100% Load | 75% Load | 100% Load | 75% Load | 100% Load | 75% Load | 100% Load | 75% Load | 100% Load | 75% Load | 100% Load |
| YGP500-1 | Prime | 63.0 | 63.9 | 69.0 | 69.9 | 79.2 | 80.0 | - | - | - | - | - | - |
| | Standby | 63.3 | 64.2 | 69.3 | 70.2 | 79.4 | 80.3 | - | - | - | - | - | - |
| YGP550-1 | Prime | 63.3 | 64.2 | 69.3 | 70.2 | 79.4 | 80.3 | - | - | - | - | - | - |
| | Standby | 63.6 | 64.6 | 69.6 | 70.6 | 79.7 | 80.7 | - | - | - | - | - | - |
| YGP563-1 | Prime | - | - | - | - | - | - | 65.1 | 66.1 | 71.1 | 72.1 | 81.4 | 82.4 |
| | Standby | - | - | - | - | - | - | 65.4 | 66.6 | 71.4 | 72.6 | 81.7 | 82.9 |
| YGP605-1 | Prime | 64.5 | 66.0 | 70.5 | 72.0 | 80.1 | 81.3 | - | - | - | - | - | - |
| | Standby | 65.0 | 66.6 | 71.0 | 72.6 | 80.5 | 81.8 | - | - | - | - | - | - |
| YGP625-1 | Prime | - | - | - | - | - | - | 65.4 | 66.7 | 71.4 | 72.7 | 81.7 | 82.9 |
| | Standby | - | - | - | - | - | - | 65.7 | 67.3 | 71.7 | 73.3 | 82.1 | 83.5 |
| YGP660-1 | Prime | 65.7 | 66.4 | 71.7 | 72.4 | 81.6 | 82.2 | - | - | - | - | - | - |
| | Standby | 65.9 | 66.6 | 71.9 | 72.6 | 81.8 | 82.4 | - | - | - | - | - | - |
| YGP688-1 | Prime | - | - | - | - | - | - | 67.2 | 67.5 | 73.2 | 73.5 | 85.5 | 85.6 |
| | Standby | - | - | - | - | - | - | 67.3 | 67.5 | 73.3 | 73.5 | 85.5 | 85.6 |
| YGP700-1 | Prime | 65.8 | 66.5 | 71.8 | 72.5 | 81.7 | 82.3 | - | - | - | - | - | - |
| | Standby | 66.1 | 66.7 | 72.1 | 72.7 | 82.0 | 82.4 | - | - | - | - | - | - |
| YGP750-1 | Prime | - | - | - | - | - | - | 67.3 | 67.5 | 73.3 | 73.5 | 85.5 | 85.6 |
| | Standby | - | - | - | - | - | - | 67.4 | 67.6 | 73.4 | 73.6 | 85.6 | 85.5 |

These generator sets meet LWA legislation.



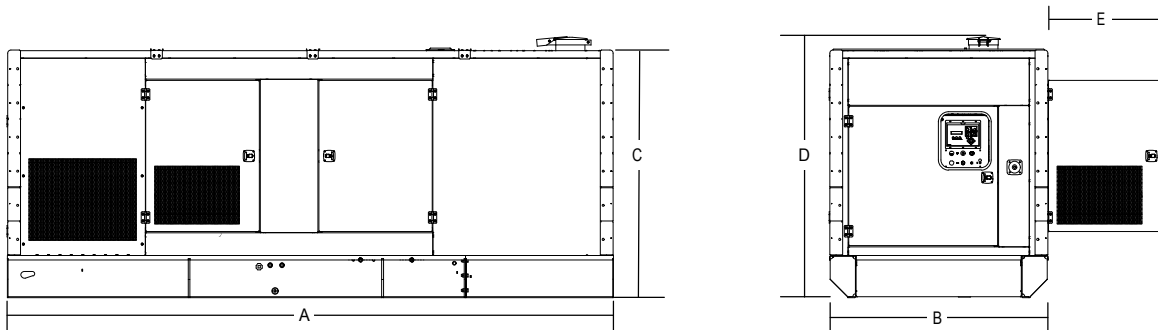
Dimensions and Weights – CAE

| Generating Set Model | A: mm (in) | B: mm (in) | C: mm (in) | D: mm (in) | E: mm (in)* | Weight: kg (lb) | Fuel Tank Capacity litres (US gal) |
|----------------------|---------------|---------------|---------------|---------------|----------------|--------------------|---------------------------------------|
| YGP500-1 | 4930 (194.0) | 1658 (65.3) | 2147 (84.5) | 2317 (91.2) | 995 (39.2) | 5106 (11257) | 915 (242) |
| YGP550-1 | 4930 (194.0) | 1658 (65.3) | 2147 (84.5) | 2317 (91.2) | 995 (39.2) | 5230 (11530) | 915 (242) |
| YGP563-1 | 4930 (194.0) | 1658 (65.3) | 2147 (84.5) | 2317 (91.2) | 995 (39.2) | 5160 (11257) | 915 (242) |
| YGP605-1 | 5320 (209.4) | 1920 (75.6) | 2177 (85.7) | 2245 (88.3) | 995 (39.2) | 5845 (12886) | 1215 (321) |
| YGP625-1 | 4930 (194.0) | 1658 (65.3) | 2147 (84.5) | 2317 (91.2) | 995 (39.2) | 5230 (11530) | 915 (242) |
| YGP660-1 | 5320 (209.4) | 1920 (75.6) | 2177 (85.7) | 2245 (88.3) | 995 (39.2) | 5950 (13117) | 1215 (321) |
| YGP688-1 | 5320 (209.4) | 1920 (75.6) | 2177 (85.7) | 2245 (88.3) | 995 (39.2) | 5845 (12886) | 1215 (321) |
| YGP700-1 | 5320 (209.4) | 1920 (75.6) | 2177 (85.7) | 2245 (88.3) | 995 (39.2) | 6000 (13228) | 1215 (321) |
| YGP750-1 | 5320 (209.4) | 1920 (75.6) | 2177 (85.7) | 2245 (88.3) | 995 (39.2) | 5960 (13140) | 1215 (321) |

Weight with lube oil, coolant, no fuel.

Sound Pressure Levels (dBA) - CAHA

| Generating Set Model | 50 Hz | | | | | | 60 Hz | | | | | |
|----------------------|------------|-----------|-----------|-----------|----------|-----------|------------|-----------|-----------|-----------|----------|-----------|
| | 15m (50ft) | | 7m (23ft) | | 1m (3ft) | | 15m (50ft) | | 7m (23ft) | | 1m (3ft) | |
| | 75% Load | 100% Load | 75% Load | 100% Load | 75% Load | 100% Load | 75% Load | 100% Load | 75% Load | 100% Load | 75% Load | 100% Load |
| YGP500-1 Prime | 69.6 | 70.9 | 75.6 | 76.9 | 87.8 | 88.7 | - | - | - | - | - | - |
| YGP500-1 Standby | 70.0 | 71.3 | 76.0 | 77.3 | 88.1 | 89.0 | - | - | - | - | - | - |
| YGP550-1 Prime | 70.0 | 71.3 | 76.0 | 77.3 | 88.1 | 89.0 | - | - | - | - | - | - |
| YGP550-1 Standby | 70.4 | 71.8 | 76.4 | 77.8 | 88.4 | 89.3 | - | - | - | - | - | - |
| YGP563-1 Prime | - | - | - | - | - | - | 72.7 | 73.6 | 78.7 | 79.6 | 91.0 | 91.9 |
| YGP563-1 Standby | - | - | - | - | - | - | 73.0 | 74.0 | 79.0 | 80.0 | 91.3 | 92.2 |
| YGP605-1 Prime | 70.0 | 71.3 | 76.0 | 77.3 | 87.4 | 88.9 | - | - | - | - | - | - |
| YGP605-1 Standby | 70.4 | 71.7 | 76.4 | 77.7 | 87.8 | 89.5 | - | - | - | - | - | - |
| YGP625-1 Prime | - | - | - | - | - | - | 73.1 | 74.0 | 79.1 | 80.0 | 91.3 | 92.3 |
| YGP625-1 Standby | - | - | - | - | - | - | 73.4 | 74.3 | 79.4 | 80.3 | 91.6 | 92.6 |
| YGP660-1 Prime | 70.3 | 71.7 | 76.3 | 77.7 | 87.8 | 89.4 | - | - | - | - | - | - |
| YGP660-1 Standby | 70.8 | 72.1 | 76.8 | 78.1 | 88.3 | 90.1 | - | - | - | - | - | - |
| YGP688-1 Prime | - | - | - | - | - | - | 71.7 | 72.4 | 77.7 | 78.4 | 89.9 | 90.6 |
| YGP688-1 Standby | - | - | - | - | - | - | 71.9 | 72.6 | 77.9 | 78.6 | 90.1 | 90.9 |
| YGP700-1 Prime | 70.6 | 72.0 | 76.6 | 78.0 | 88.1 | 89.8 | - | - | - | - | - | - |
| YGP700-1 Standby | 71.1 | 72.4 | 77.1 | 78.4 | 88.6 | 90.5 | - | - | - | - | - | - |
| YGP750-1 Prime | - | - | - | - | - | - | 71.9 | 72.6 | 77.9 | 78.6 | 90.1 | 90.8 |
| YGP750-1 Standby | - | - | - | - | - | - | 72.1 | 72.8 | 78.1 | 78.8 | 90.3 | 91.1 |



Dimensions and Weights – CAHA

| Generating Set Model | A: mm (in) | B: mm (in) | C: mm (in) | D: mm (in) | E: mm (in)* | Weight: kg (lb) | Fuel Tank Capacity litres (US gal) |
|----------------------|---------------|---------------|---------------|---------------|----------------|--------------------|---------------------------------------|
| YGP500-1 | 4930 (194.0) | 1658 (65.3) | 2147 (84.5) | 2317 (91.2) | 995 (39.2) | 5106 (11257) | 915 (242) |
| YGP550-1 | 4930 (194.0) | 1658 (65.3) | 2147 (84.5) | 2317 (91.2) | 995 (39.2) | 5230 (11530) | 915 (242) |
| YGP563-1 | 4930 (194.0) | 1658 (65.3) | 2147 (84.5) | 2317 (91.2) | 995 (39.2) | 5160 (11257) | 915 (242) |
| YGP605-1 | 5320 (209.4) | 1920 (75.6) | 2177 (85.7) | 2245 (88.3) | 995 (39.2) | 5845 (12886) | 1215 (321) |
| YGP625-1 | 4930 (194.0) | 1658 (65.3) | 2147 (84.5) | 2317 (91.2) | 995 (39.2) | 5230 (11530) | 915 (242) |
| YGP660-1 | 5320 (209.4) | 1920 (75.6) | 2177 (85.7) | 2245 (88.3) | 995 (39.2) | 5950 (13117) | 1215 (321) |
| YGP688-1 | 5320 (209.4) | 1920 (75.6) | 2177 (85.7) | 2245 (88.3) | 995 (39.2) | 5845 (12886) | 1215 (321) |
| YGP700-1 | 5320 (209.4) | 1920 (75.6) | 2177 (85.7) | 2245 (88.3) | 995 (39.2) | 6000 (13228) | 1215 (321) |
| YGP750-1 | 5320 (209.4) | 1920 (75.6) | 2177 (85.7) | 2245 (88.3) | 995 (39.2) | 5960 (13140) | 1215 (321) |

Weight with lube oil, coolant, no fuel.

* Clearance required on both sides

CAE Sound Attenuated Enclosure

Ambient Capability*

| Generator Set Model | Engine | 50 Hz | | 60 Hz | |
|---------------------|----------------|-------|-----|-------|-----|
| | | °C | °F | °C | °F |
| YGP500-1 | 2506A-E15TAG1 | 46 | 115 | - | - |
| YGP550-1 | 2506A-E15TAG2 | 41 | 106 | - | - |
| YGP563-1 | 2506A-E15TAG3 | - | - | 48 | 118 |
| YGP605-1 | 2806A-E18TAG1 | 50 | 122 | - | - |
| YGP625-1 | 2506A-E15TAG4 | - | - | 44 | 111 |
| YGP660-1 | 2806A-E18TAG1A | 46 | 115 | - | - |
| YGP688-1 | 2806A-E18TAG1A | - | - | 48 | 118 |
| YGP700-1 | 2806A-E18TAG2 | 43 | 109 | - | - |
| YGP750-1 | 2806A-E18TAG3 | - | - | 42 | 108 |

*Cooling system performance figures based on full load. Power output derate will apply.

CAHA High Ambient Enclosure

Ambient Capability*

| Generator Set Model | Engine | 50 Hz | | 60 Hz | |
|---------------------|----------------|-------|-----|-------|-----|
| | | °C | °F | °C | °F |
| YGP500-1 | 2506A-E15TAG1 | 55 | 131 | - | - |
| YGP550-1 | 2506A-E15TAG2 | 52 | 126 | - | - |
| YGP563-1 | 2506A-E15TAG3 | - | - | 55 | 136 |
| YGP605-1 | 2806A-E18TAG1 | 55 | 133 | - | - |
| YGP625-1 | 2506A-E15TAG4 | - | - | 54 | 129 |
| YGP660-1 | 2806A-E18TAG1A | 54 | 129 | - | - |
| YGP688-1 | 2806A-E18TAG1A | - | - | 55 | 133 |
| YGP700-1 | 2806A-E18TAG2 | 52 | 126 | - | - |
| YGP750-1 | 2806A-E18TAG3 | - | - | 53 | 127 |

*Designed for operation in high ambient environments up to 50°C with no loss of cooling system performance. Power output derate will apply.

YelloGen Ltd
24 Oroory Hill
Dromore
County Down
UK BT25 1LE

Please Contact:
Tel: 0044 (0) 1430-850001
Fax: 0044 (0) 1430-850002
www.Yellogen.com
E Mail:mail@yellogen.com